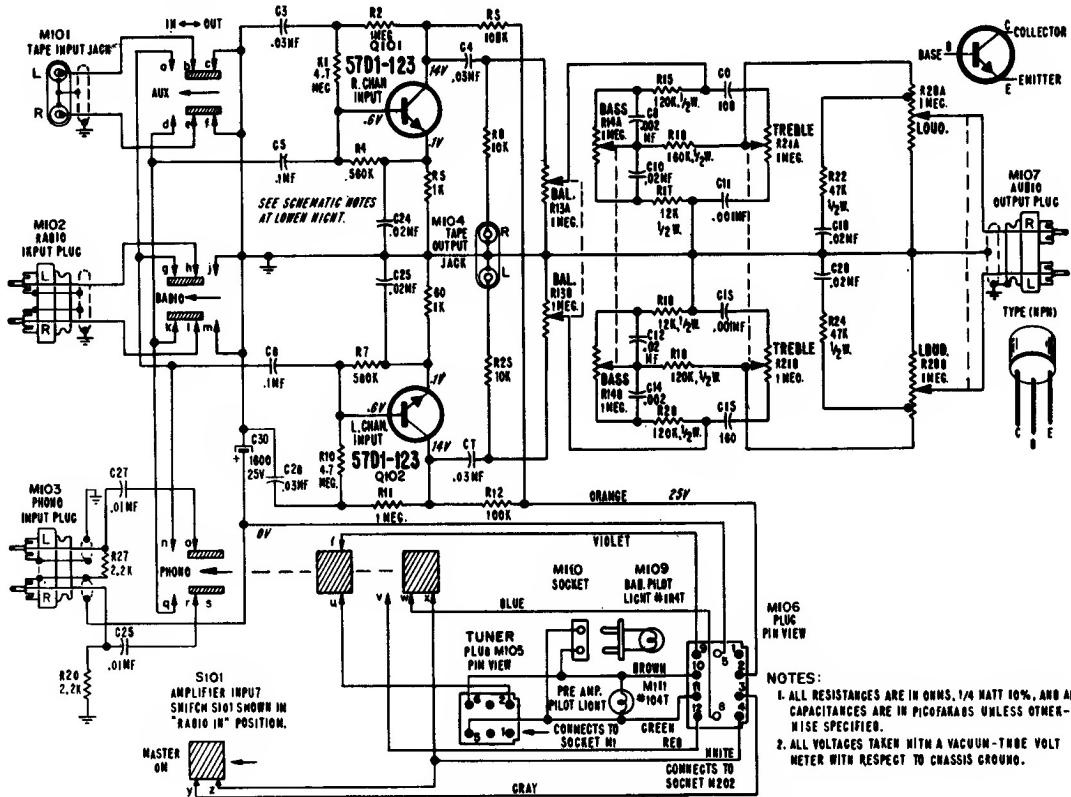


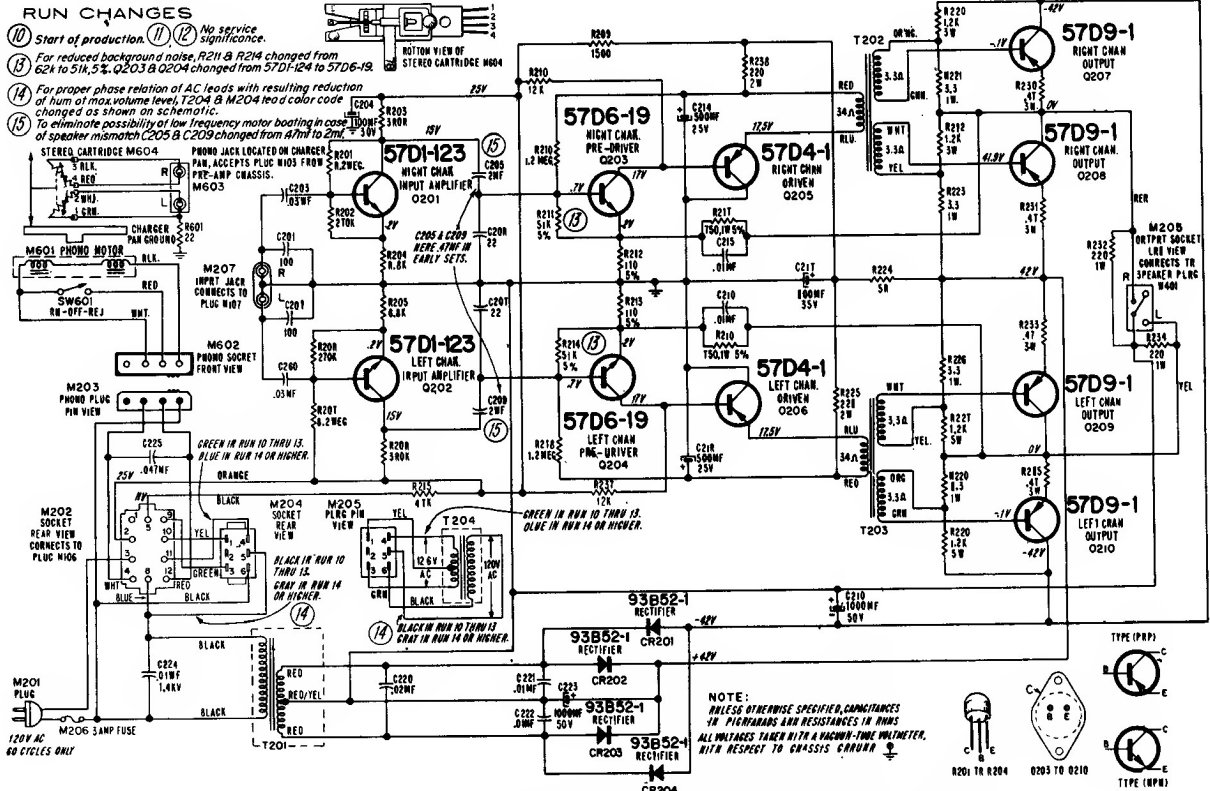
ADMIRAL 4F4, A, Pre-Amp, and 8L3, A, Power Unit, Continued



SCHMATIC FOR 4F4, 4F4A PRE-AMP CHASSIS

RUN CHANGES

- 10 Start of production. (11) (12) No service significance.
 - 11 For reduced background noise, R211 & R214 changed from 62k to 51k, 5%. Q203 & Q204 changed from 57D-124 to 57D6-19.
 - 12 For proper phase relation of AC leads with resulting reduction of hum at max. volume level, T204 & M204 lead color code changed as shown on schematic.
 - 13 To eliminate possibility of low frequency motor boating in case of speaker mismatch, C205 & C208 changed from 47µF to 2µF.
- STEREO CARTRIDGE MG04: PHONO JACK LOCATED ON CHARGER PAN, ACCEPTS PLUG M103 FROM PRE-AMP CHASSIS. M103: CHARGER C2601 PAN GROUND-22
- M201 PLUG: 120V AC 60 CYCLES ONLY
- M202 SOCKET REAR VIEW CONNECTS TO PLUG M106
- M203 PHONO PLUG PIN VIEW
- M204 SOCKET REAR VIEW
- M205 PLUG PIN VIEW
- M206 5 AMP FUSE
- M207 PHONO JACK CONNECTS TO PLUG M107
- M208 PHONO SOCKET FRONT VIEW
- M209 PHONO MOTOR
- M210 120V AC 60 CYCLES ONLY
- M211 120V AC 60 CYCLES ONLY
- M212 120V AC 60 CYCLES ONLY
- M213 120V AC 60 CYCLES ONLY
- M214 120V AC 60 CYCLES ONLY
- M215 120V AC 60 CYCLES ONLY
- M216 120V AC 60 CYCLES ONLY
- M217 120V AC 60 CYCLES ONLY
- M218 120V AC 60 CYCLES ONLY
- M219 120V AC 60 CYCLES ONLY
- M220 120V AC 60 CYCLES ONLY
- M221 120V AC 60 CYCLES ONLY
- M222 120V AC 60 CYCLES ONLY
- M223 120V AC 60 CYCLES ONLY
- M224 120V AC 60 CYCLES ONLY
- M225 120V AC 60 CYCLES ONLY
- M226 120V AC 60 CYCLES ONLY
- M227 120V AC 60 CYCLES ONLY
- M228 120V AC 60 CYCLES ONLY
- M229 120V AC 60 CYCLES ONLY
- M230 120V AC 60 CYCLES ONLY
- M231 120V AC 60 CYCLES ONLY
- M232 120V AC 60 CYCLES ONLY
- M233 120V AC 60 CYCLES ONLY
- M234 120V AC 60 CYCLES ONLY
- M235 120V AC 60 CYCLES ONLY
- M236 120V AC 60 CYCLES ONLY
- M237 120V AC 60 CYCLES ONLY
- M238 120V AC 60 CYCLES ONLY
- M239 120V AC 60 CYCLES ONLY
- M240 120V AC 60 CYCLES ONLY



SCHMATIC FOR 8L3, 8L3A AMPLIFIER - POWER SUPPLY CHASSIS